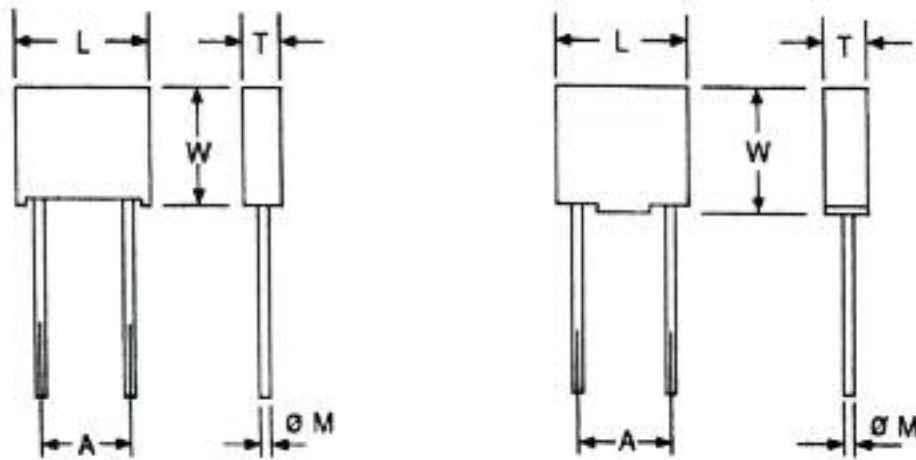


A.C.L. Mica Capacitors



Moulded Radials

STYLE	Capacitance (pF)	WV (dc)	Dimensions (mm)				
			L max	W max	T max	A ± 0.3	M ± 0.05
RM - 05	5 - 270	250	7.5	7.5	2.5	5.0	0.6
RM - 06	5 - 820	250	9.5	9.0	2.5	5.0	0.6
RM - 08	10 - 1800	250	9.5	10.5	2.5	5.0	0.6
RM - 10	100 - 2000	250	12.7	12.2	3.4	10.0	0.8
RM - 20	2000 - 10000	250	12.7	12.2	5.3	10.0	0.8
RM - 30	10000 - 22000	125	12.7	12.2	7.8	10.0	0.8
RM - 40	22000 - 33000	125	12.7	12.2	10.4	10.0	0.8
RM - 50	33000 - 51000	125	22.0	12.2	10.4	20.0	0.8